

**BALDOR® • RELIANCE** 

**Product Information Packet**

**IDDRPM251254**

**125HP, 1750RPM, 3PH, N/AHZ, 2586, DPG-FV,**

Part Detail							
Revision:	A	Status:	PRD/A	Change #:		Proprietary:	No
Type:	AC	Elec. Spec:	L1824A	CD Diagram:	422927-001	Mfg Plant:	
Mech. Spec:		Layout:	617222-001	Poles:	04	Created Date:	04-10-2015
Base:		Eff. Date:	10-24-2019	Leads:			

Specs			
Catalog Number:	IDDRPM251254		
Enclosure:	DPFV		
Frame:	RL2586		
Frame Material:	Exposed Laminations		
Output @ Frequency:	125.000 HP @ 60 HZ		
Synchronous Speed @ Frequency:	1800 RPM @ 60 HZ		
Voltage @ Frequency:	460.0 V @ 60 HZ		
Agency Approvals:	CCSA US		
	UR		
Auxillary Box:	No Auxillary Box		
Base Indicator:	Rigid		
Bearing Grease Type:	No Grease		
Current @ Voltage:	148.000 A @ 460.0 V		
Duty Rating:	CONT		
Enclosure Modification:	FORCE VENT		
Feedback Device:	NO FEEDBACK		
Frame Prefix:	RL		
Heater Indicator:	No Heater		

<b>Insulation Class:</b>	H		
<b>Mounting Arrangement:</b>	F1		
<b>Product Family:</b>	General Industrial		
<b>Pulley End Bearing Type:</b>	Ball		
<b>Pulley Face Code:</b>	Standard		
<b>Shaft Ground Indicator:</b>	No Shaft Grounding		
<b>Shaft Rotation:</b>	Reversible		
<b>Motor Standards:</b>	NEMA		
<b>Thermal Device - Bearing:</b>	None		
<b>Thermal Device - Winding:</b>	Normally Closed Thermostat		



Parts List		
Part Number	Description	Quantity
WS286725	WS P25R0233	1.000 EA
RA282933	RA P25R0233	1.000 EA
000613006NN	RPM AC WITH CERTIFIED LOGOS	1.000 EA
000692000FP	NP, WARNING LIFT INSTRUCTIONS	1.000 EA
000692000VD	LABEL WARNING	1.000 EA
418057747A	METAL FASTENER	8.000 EA
422927001	C/D LABEL	1.000 EA
036100080KA	M10-1.50X 80MM HXSOCHDCS	3.000 EA
036140001C	EYEBOLT - 400	2.000 EA
036500010AB	METRIC NUT M10-1.5PLTD400	4.000 EA
036500010AB	METRIC NUT M10-1.5PLTD400	4.000 EA
400638001H	SPRING WASHER (Customer number 43699)	1.000 EA
HA4054	SHORT T-DRAIN FITTING, .125" N.P.T.	1.000 EA
HA4054	SHORT T-DRAIN FITTING, .125" N.P.T.	1.000 EA
609830005ABR	STUD FRAME .375X16.9 L	4.000 EA
807528202EAE	BRKT,DE,RL250,DPFV	1.000 EA
807528203CCB	BRKT,ODE,RL250,DPFV	1.000 EA
000613006NT	NAME PLATE IEC	1.000 EA
032018004DK	HHCS,DRIP COVER	4.000 EA
032018008CK	HHCS 3/8-16X1L PLATED	4.000 EA
034017014AB	LCKW 3/8 STD. PLATED	4.000 EA
036000012HB	HHCS M6X12MM LONG PLATED	4.000 EA
036000012JB	M8-1.25 X 12MM HXHDC	3.000 EA
036000012JB	M8-1.25 X 12MM HXHDC	4.000 EA

Parts List (continued)		
Part Number	Description	Quantity
036000020HB	HHCS M6-1.0X20MM PLATED	8.000 EA
036000020JB	HHCS M8-1.25X20L PLTD-250	4.000 EA
036321020HB	HEXSOCKET FLAT SCREW M	4.000 EA
036000045JB	M8-1.25 X 45MM HXHCS	4.000 EA
036600009AB	METRIC FLWASH M8 PLATED	3.000 EA
036601008AB	M6 FLAT WASHER	4.000 EA
036620009AB	M8 EXTERNAL LK WASHER	1.000 EA
077176001A	CBOXC, PAINTED 360-400	1.000 EA
402731001A	GASK 360-440	1.000 EA
410978010C	FLANGE, INLET BLOWER HSG.	1.000 EA
410978019A	SCREEN, INLET FLANGE	1.000 EA
417733004D	GASKET CONDUIT BOX	1.000 EA
418018074A	GROUND LABEL G100 METRIC 160 D.C.	1.000 EA
422919352	HHCVR KIT,RL250,DE LOUVERED	1.000 EA
422919352	HHCVR KIT,RL250,DE LOUVERED	1.000 EA
609843001AG	GASKET HANDHOLD COVER	1.000 EA
610409128A	ADAPTER, BLOWER	1.000 EA
610409130A	ADAPTER, C/BOX	1.000 EA
417733004AC	GASK C/BOX	3.000 EA
610490001AH	.75HP,3450//2850RPM,3PH,60//50HZ,56C,351	1.000 EA
415000103E	T/LUG #4AWG-1/0AWG W/HOLE FOR .375 BOLT	1.000 EA
611917002A	GASKT	1.000 EA
611965001A	WHEEL, BLOWER	1.000 EA
706305301A	GUARD, SHAFT	1.000 EA

706320016A	CONDUIT BOX	1.000 EA
708528004G	HOUSING, BLOWER	1.000 EA
000640000P	TAG WINDING THERMOST	1.000 EA
004824007K	SPECIAL PAINT	0.100 EA
034180024GA	KEY 1/2X1/2X3 L	1.000 EA
418018116	WARNING PLATE	1.000 EA
418010012J	CONDUIT BOX SPACER	1.000 EA

S/O	-	VOLTS	460	ENCLOSURE	DPV	WYE CONN EQ CKT PER PHASE (AT BASE RATING, 25°C)
FRAME	RL2586	AMPS	148	MAX SAFE SPEED	5000	
HP	125	DUTY	CONT	IM (AMPS)	40	R1 .0450 X1 .231
BASE SPEED	1750	S.F.	1.0	P.F. @NL/FL	.058/.883	R2 .0360 X2 .228
PHASE/HZ	3/60	AMB:°C/INSUL	40/H	WK <sup>3</sup> (Lb-Ft <sup>3</sup> )	4.9	XM 6.60


**RATED FULL LOAD DATA**

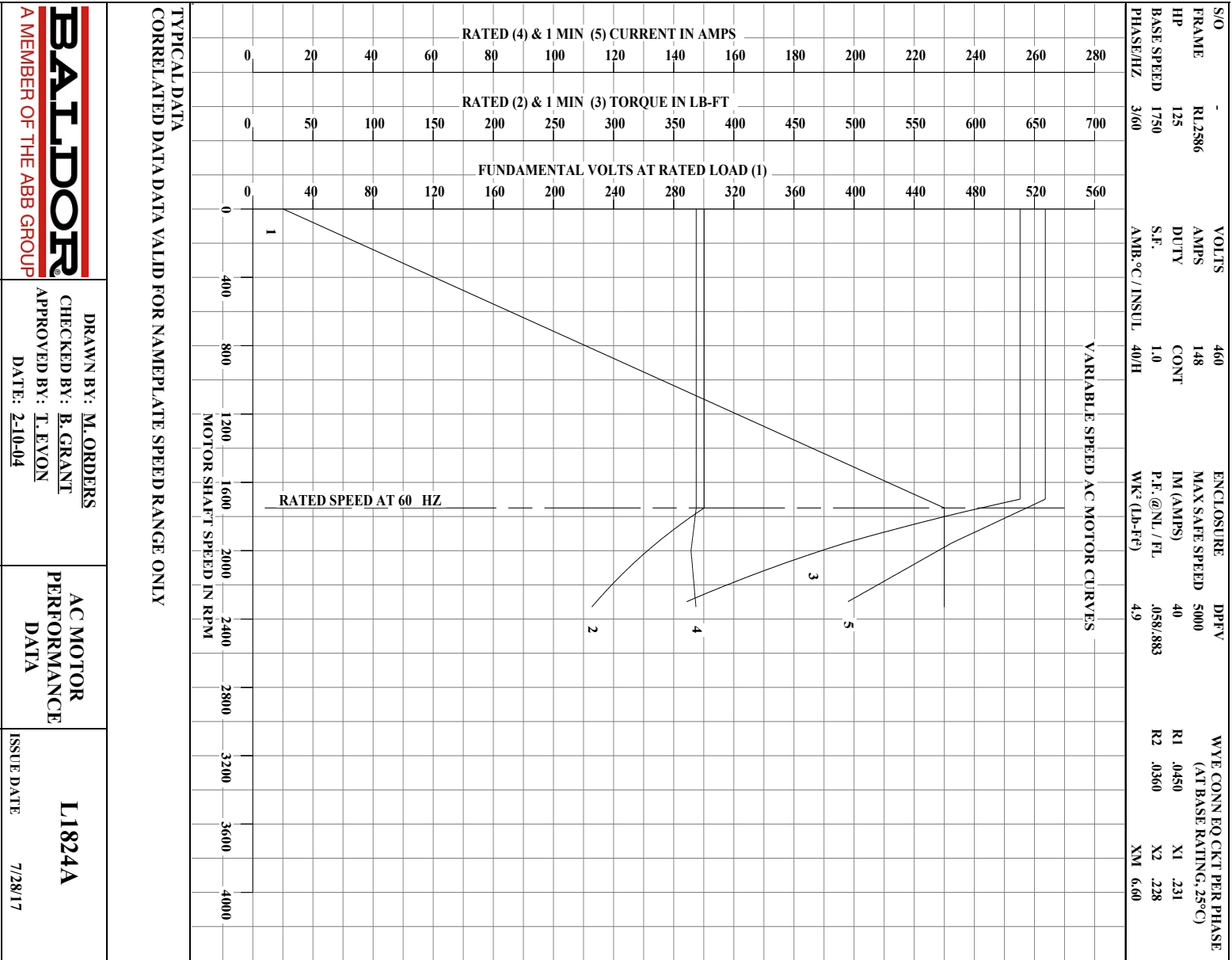
	RPM	HP	TORQUE LB-FT	FUND VOLTS	FREQ-HZ	AMPS
BASE SPEED	1750	125	375	460	60	147
MAX SPEED	2329	125	282	460	80	147
MIN SPEED	0	0	375	20.2	1.68	147

**LOAD PERFORMANCE AT BASE SPEED**

	RPM	HP	TORQUE LB-FT	FUND VOLTS	FREQ-HZ	AMPS
NO LOAD	1800	0	0	460	60	40.5
1/4	1789	31.3	92	460	60	54.2
1/2	1777	62.6	185	460	60	80.1
3/4	1764	93.7	279	460	60	112
FULL LOAD	1750	125	375	460	60	147
0/L	1698	206	638	460	60	264

REMARKS:  
TYPICAL DATA  
CORRELATED DATA

 <p><b>BALDOR</b> A MEMBER OF THE ABB GROUP</p>	DRAWN BY: M. ORDERS CHECKED BY: B. GRANT APPROVED BY: T. EVON DATE: 2-10-04	AC MOTOR PERFORMANCE DATA	L1824A ISSUE DATE 7/28/17
	REMARKS: TYPICAL DATA CORRELATED DATA		



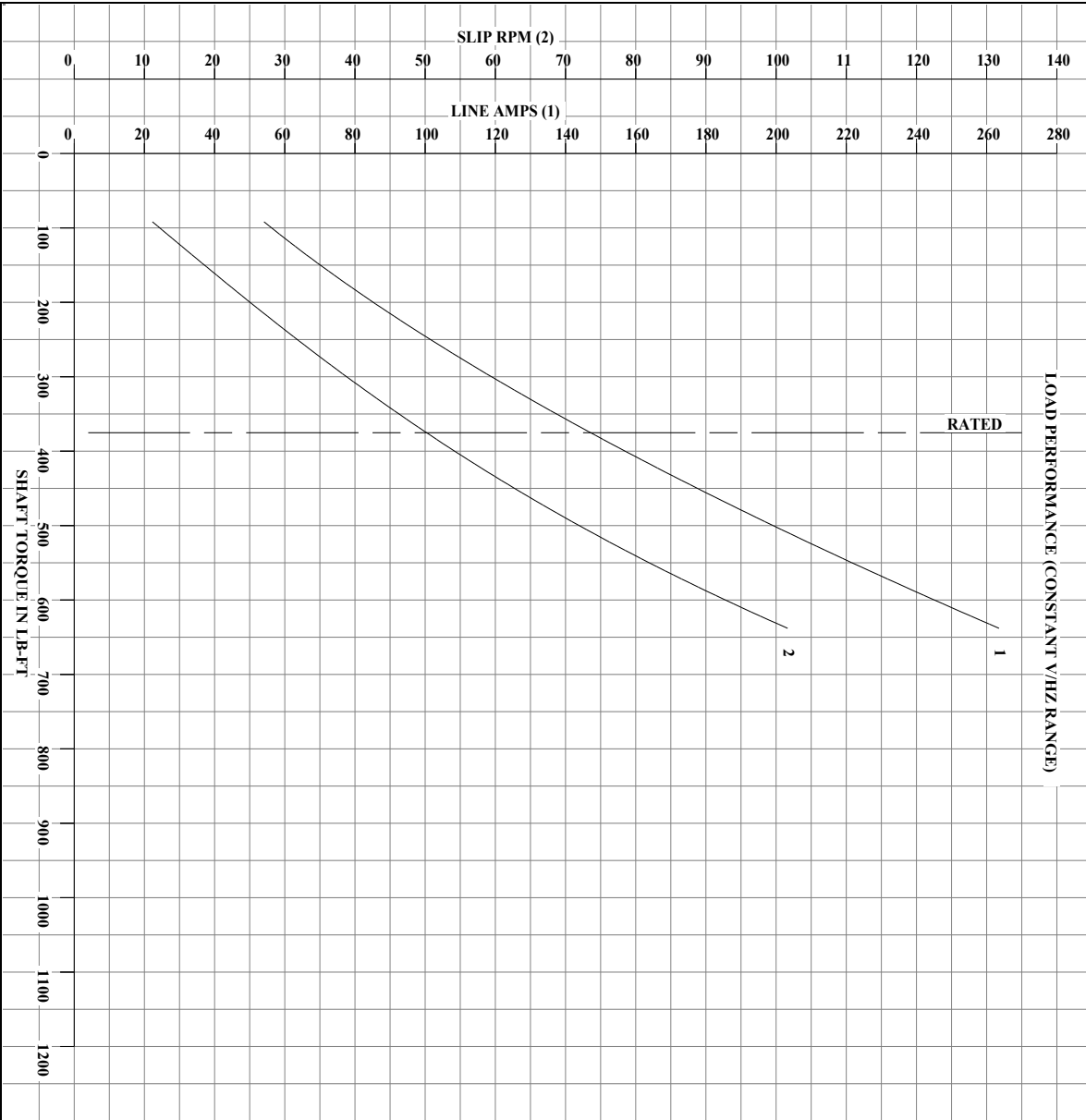
**BALDOR**  
A MEMBER OF THE ABB GROUP

DRAWN BY: M. ORDERS  
CHECKED BY: B. GRANT  
APPROVED BY: T. EVON  
DATE: 2-10-04

AC MOTOR  
PERFORMANCE  
DATA

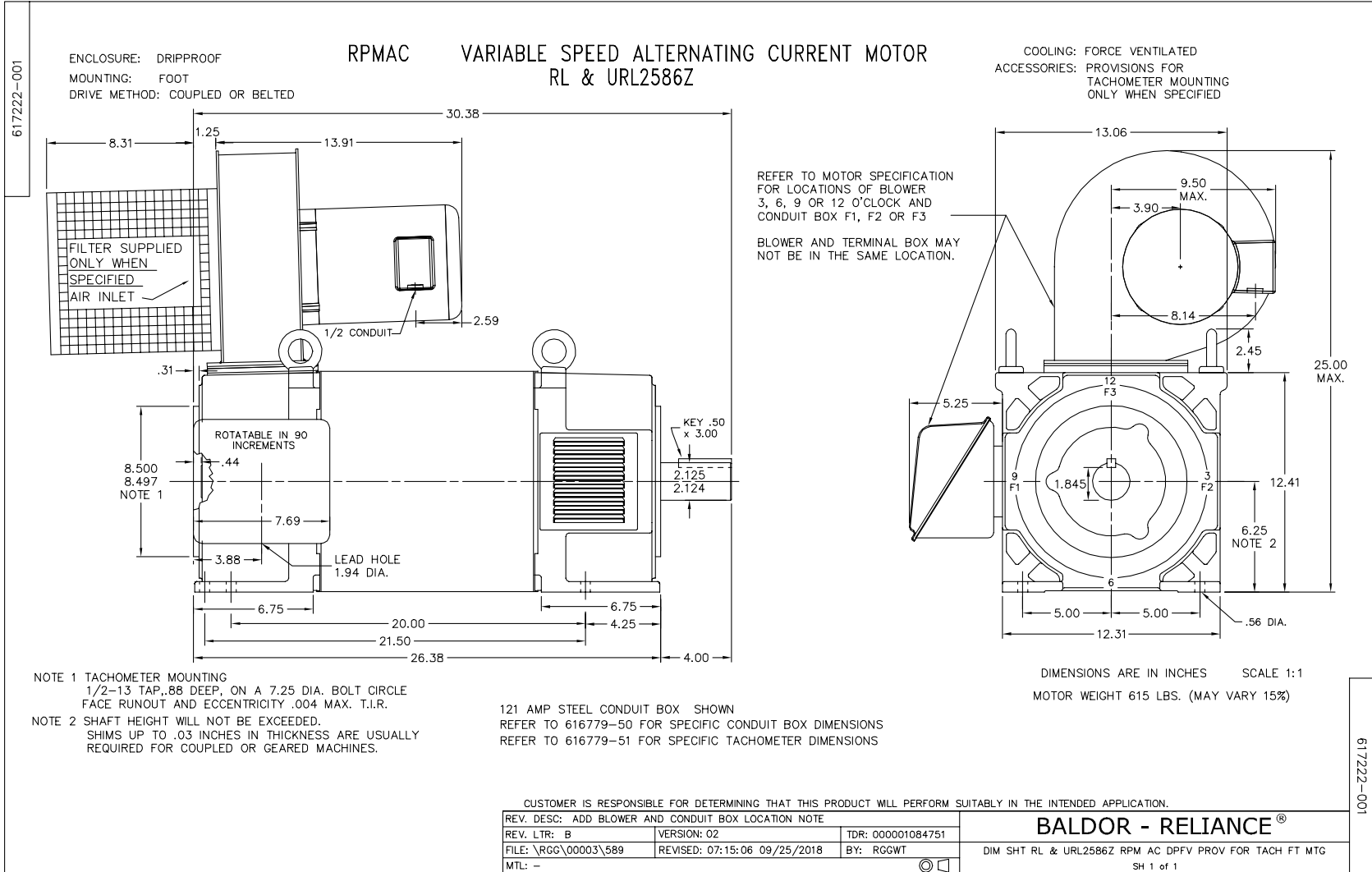
L1824A  
ISSUE DATE: 7/28/17

S/O	-	VOLTS	460	ENCLOSURE	DPFV	WYE CONN EQ CKT PER PHASE (AT BASE RATING, 25°C)
FRAME	RL2586	AMPS	148	MAX SAFE SPEED	5000	R1 .0450
HP	125	DUTY	CONT	IM (AMPS)	40	X1 .231
BASE SPEED	1750	S.F.	1.0	P.F. @ NL / FL	.058/883	R2 .0360
PHASE/HZ	3/60	AMB. °C / INSUL	40/H	WK (LB-FT)	4.9	X2 .228
						XM 6.60



TYPICAL DATA  
CORRELATED DATA DATA VALID FOR NAMEPLATE SPEED RANGE ONLY

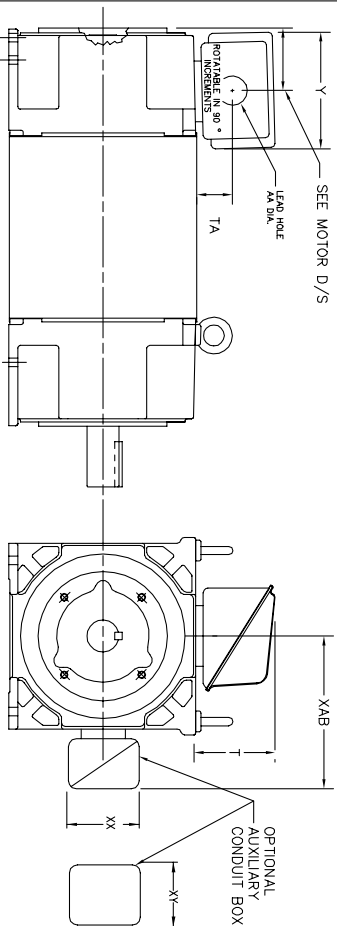
<p><b>BALDOR</b> A MEMBER OF THE ABB GROUP</p>	<p>DRAWN BY: <u>M. ORDERS</u></p>	<p>AC MOTOR PERFORMANCE DATA</p>	<p>L1824A</p>
	<p>CHECKED BY: <u>B. GRANT</u> APPROVED BY: <u>T. EVON</u> DATE: <u>2-10-04</u></p>		
		<p>ISSUE DATE</p>	<p>7/28/17</p>



# INDUSTRIAL ALTERNATING CURRENT MOTORS

## RPM AC

STEEL, CAST IRON, MILL AND TERMINAL BOARD CONDUIT BOX DIMENSIONS  
 NEMA FRAMES RL210 thru RL280 and IEC FRAMES RDL132 thru RDL180  
 NEMA FRAMES FL180 thru FL280 and IEC FRAMES FDL112 thru FDL180



FRAME	TYPE	TERMINAL STRIP	AMPS	C/BOX	Y	TA	T	AA
FL180	STEEL	N	40	706320003A	5.00	1.62	3.00	1.12
FL180	STEEL	Y/N	7/5	706320005A	6.12	2.38	4.38	1.75/2.00
FL180	STEEL	N	208	706320007A	7.62	2.00	7.00	2.50/3.00
FL180	CAST IRON	Y/N	60	706320004C	5.75	2.38	4.38	1.0 TAP
FL180 & FDL11	MILL	Y	100	706310056A	7.75	2.30	4.40	PG29/PG16

FL210 & RL210	STEEL	N	61	0754520008	6.34	2.00	4.12	1.75
FL210 & RL210	STEEL	N	121	075454001AJ	7.69	2.38	5.25	1.94
FL210 & RL210	STEEL	N	305	706320016A	9.00	4.12	8.44	4.59
FL210 & RL210	CAST IRON	N	110	0754600628	7.25	2.50	5.25	1.5 TAP
FL210 & RL210	CAST IRON	N	110	0754600628	7.25	2.50	5.25	1.5 TAP
FL210 & RL210	MILL	Y	100	706310225R	7.75	2.30	4.40	PG29/PG16
FL210 & RL210	MILL	Y	100	706310226R	7.75	2.30	4.40	PG29/PG16
FL210 & RL210	MILL	Y	160	706310056B	9.00	3.06	5.40	PG36/PG16
FL210 & RL210	MILL	Y	160	706310056B	9.00	3.06	5.40	PG36/PG16

FL250 & RL250	STEEL	N	61	0754520008	6.34	2.00	4.12	1.75
FL250 & RL250	STEEL	N	121	075454001AJ	7.69	2.38	5.25	1.94
FL250 & RL250	STEEL	N	305	706320016A	9.00	4.12	8.44	4.59
FL250 & RL250	CAST IRON	N	110	0754600628	7.25	2.50	5.25	1.5 TAP
FL250 & RL250	CAST IRON	N	110	0754600628	7.25	2.50	5.25	1.5 TAP
FL250 & RL250	MILL	Y	100	706310225R	7.75	2.30	4.40	PG29/PG16
FL250 & RL250	MILL	Y	100	706310226R	7.75	2.30	4.40	PG29/PG16
FL250 & RL250	MILL	Y	160	706310056B	9.00	3.06	5.40	PG36/PG16
FL250 & RL250	MILL	Y	160	706310056B	9.00	3.06	5.40	PG36/PG16
FL250 & RL250	MILL	Y	400	706310063B	14.39	7.43	12.15	BLANK

FL280 & RL280	STEEL	N	160	706320009A	7.25	3.50	7.06	2.50
FL280 & RL280	STEEL	N	305	706320016A	9.00	4.12	8.44	4.59
FL280 & RL280	STEEL	N	500	702658001C	14.62	7.56	12.70	5.00
FL280 & RL280	CAST IRON	N	140	706320012B	9.25	4.81	8.56	3.0 TAP
FL280 & RL280	CAST IRON	N	210	706320013A	10.50	4.88	9.00	4.0 TAP
FL280 & RL280	CAST IRON	N	510	706320014D	15.00	7.56	12.81	5.0 TAP
FL280 & RL280	MILL	Y	100	706310056A	7.75	2.30	4.40	PG29/PG16
FL280 & RL280	MILL	Y	100	706310056A	7.75	2.30	4.40	PG29/PG16
FL280 & RL280	MILL	Y	160	706310056B	9.00	3.06	5.40	PG36/PG16
FL280 & RL280	MILL	Y	160	706310056B	9.00	3.06	5.40	PG36/PG16
FL280 & RL280	MILL	Y	400	706310063B	14.39	7.43	12.15	BLANK

FRAME SIZE	XAB	OPTIMAL AUXILIARY CONDUIT BOX DIMENSIONS (MAXIMUM)							
		XX	XY	PART NUMBER					
FL210/RL210/FL112	7.38	4.25	4.25	603C07-26-A	FL210/RL210/FL112	10.88	8.00	8.00	706310-3-B
FL250/RL250/FL160	8.44	4.25	4.25	603C07-26-A	FL250/RL250/FL160	11.88	8.00	8.00	706310-3-B
FL280/RL280/FL180	9.12	4.25	4.25	603C07-26-A	FL280/RL280/FL180	12.62	8.00	8.00	706310-3-B

- (1) TAP CONDUIT
- (2) TAP PIPE TAP
- (3) CUSTOMER TO PROVIDE HOLE FOR CONDUIT.
- (4) 2" DN -5A or 1" TAP DN -4C

TERMINAL BOX CAN BE KEPT FOR LEAD OUTLET AT TOP SIDES OR BOTTOM TERMINAL BOX CAN BE KEPT FOR LEAD OUTLET AT TOP SIDES OR BOTTOM SIDE OF MOTOR. DIMENSIONS SPECIFIED IN BOX LOCATED ON TYP WHEN SPECIFIED.

050-667919

CUSTOMER IS RESPONSIBLE FOR DETERMINING THAT BALDOR'S PRODUCT WILL PERFORM SUITABLY IN THE INTENDED APPLICATION.

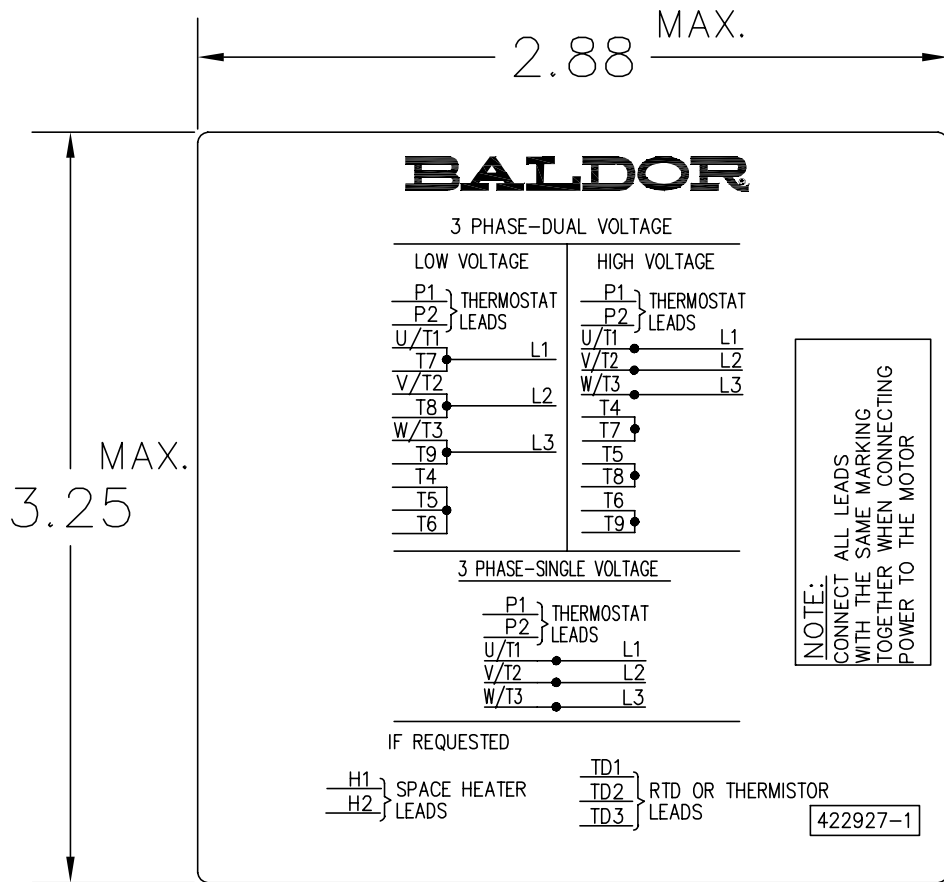
REV. DESC: ADD C/BOX 706310-225 & -226R	VERSION: 05	TDR: 000001093792
REV. LTR: E	REVISED: 07: 27: 52 12/18/2018	BY: RGGWT
FILE: \RGG\00003\692		
MTL: -		

**BALDOR - RELIANCE®**

DIM SHT NEMA RL210-RL280 FL180-FL280 IEC RDL132-RDL180

SH 1 of 1

422927-001



NOTE:  
DATA TO BE SIZED  
SO THAT IT FITS INTO  
MATERIAL DECAL  
DIMENSIONS. MAKE  
LETTERS & NUMBERS  
AS LARGE AS POSSIBLE.

MATERIAL: CERAMATIC DGF-P4  
PERMA GRIP ADHESIVE

ALL LETTERS, NUMBERS  
AND LINES TO BE BLACK  
ON WHITE BACKGROUND.

422927-001

REV. DESC: CHANGE BACKGROUND COLOR FROM GOLD TO WHITE		
REV. LTR: B	VERSION: 02	TDR: 000000788708
FILE: \RGG\00000\203	REVISED: 08:09:29 03/04/2013	
MTL: -	BY: RGGWT	

**BALDOR**

EXTERNAL CONNECTION LABEL

SH 1 of 1

Marketing maintained PDF of MN406:

<http://www.baldor.com/support/Literature/Load.ashx/MN406?ManNumber=MN406>